



MAYTAG® COMMERCIAL TOP-LOAD WASHER

LAUNDRY SOLUTIONS
YOU CAN *DEPEND* ON.

THE LONGEST-LASTING TOP-LOAD WASHER

Maytag® top-load washers last longer than other leading brands, thanks to a simple design that reduces wear. It's another way you can depend on Maytag to maximize your equipment investment.

MICROPROCESSOR CONTROLS

Maytag® Computer Trac® controls let you adjust prices by cycle, day and time, and provide simple one-touch cycle selection.



FOR YOUR CUSTOMERS:

- One-Touch Cycle Selection
- Vacuum Fluorescent Display Panel
- Extra-Large Lid And Tub Opening
- Canadian Model Features Dual Coin-Drop Operation

FOR YOUR OPERATION:

- Easy-To-Program Computer Trac® Controls
- Self-Diagnostics Reduce Service Costs
- Front Access For Easy Self-Service
- Optional Audit System With Two-Way Data Communication

BUILT-TO-LAST™ FEATURES:

- Dependable Drive® Orbital Transmission
- Poly-Pump™ Polypropylene Pump Can't Rust
- Premium Porcelain-Enamel Top
- Quad Coat™ Cabinet Protection
- Heavy-Duty Leveling Legs
- The Best Warranty In The Business

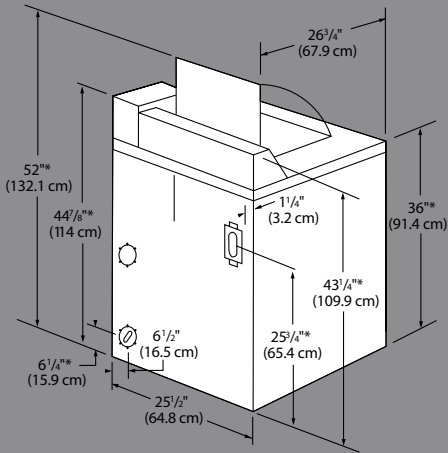
MAT12PD



**#1 PREFERRED
TOP-LOAD
WASHER BRAND BY LAUNDRY
STORE OWNERS ACROSS
AMERICA.**

Maytag® Top-Load Washer

MICROPROCESSOR COIN-DROP



* Dimensions will vary according to adjustment of leveling legs; add 1/2" (1.3 cm) minimum.



5 YEARS — ALL PARTS

For a period from the date of original purchase through the time listed above, the designated parts that fail in normal commercial use will be repaired or replaced free of charge for the part itself, with the owner paying all other costs, including labor, transportation and customs duty. Chemical damage is excluded from all warranty coverage. See complete warranty for details.



	Top-Load Washer
WASHER SPECIFICATIONS	
MODEL	MAT12PD
MOTOR	
Single-phase, reversible, thermoprotected	•
HP (kw)	1/2 (.37)
APPROXIMATE WATER USAGE — gal. (liters)	
Factory preset hot cycle average, hot water	6 1/2 (24.6)
Factory preset average, overall	3 1/2 (119.2)*
Adjustable setting	29 (109.8)
ELECTRICAL RATING	
Export model	220 – 240V, 50 Hz
FUSE REQUIREMENT	
Domestic model — amps	15
Export model — amps	10
CYLINDER	
Volume — cu. ft. (liters)	2 1/2 (70.8)
Diameter — in. (cm)	20 1/2 (52.1)
Depth — in. (cm)	15 (38.1)
DOOR OPENING	
In. (cm)	16 (40.6)
EXTRACT SPEED	
Maximum rpm	618
Maximum g-force	110
OPERATING PRESSURE	
Psi (bar)	15 – 120 (1 – 8)
INLET HOSE LENGTH	
Ft. (m)	4 (1.22)
DRAIN HOSE LENGTH	
Ft. (m)	4 (1.22)
ADJUSTABLE LEVELING LEGS	
	•
COLORS	
White	•
Bisque	•
APPROXIMATE WEIGHT	
Crated — lbs. (kg)	224 (102)
Uncrated — lbs. (kg)	198 (90)
* Average based on testing with a 14-pound AHAM load.	
Flush-to-wall installation is permitted by a 1 1/4" (3.2 cm) back panel overhang.	
See specific instructions for proper installation. Because of continuous product improvement, Maytag reserves the right to change specifications without notice.	

