



MAYTAG® COMMERCIAL SUPER-CAPACITY DRYER

LAUNDRY SOLUTIONS
YOU CAN **DEPEND** ON.

QUICK, EFFICIENT, RELIABLE DRYING

Maytag® super-capacity dryers are the perfect match for our washers, delivering powerful 220-cfm diagonal airflow with a choice of fabric care cycles.

MECHANICAL COIN-SLIDE

Simple coin-slide operation is familiar to customers and easy to operate. Plus, the mechanism accepts a variety of slides for increased flexibility.



FOR YOUR CUSTOMERS:

- Easy-To-Operate Dial Control
- Convenient Top-Opening Door
- Extra-Large Door Opening

FOR YOUR OPERATION:

- Reversible Door
- Large-Capacity Lint Filter
- Extra-Large Security Coin Vault
- Front Access For Easy Service

BUILT-TO-LAST™ FEATURES:

- Premium Porcelain-Enamel Top
- Tri-Coat™ Cabinet Protection
- DuraCushion™ Dryer Drum
- Cushioned Drum Suspension
- Permanently Lubricated Bearings
- The Best Warranty In The Business

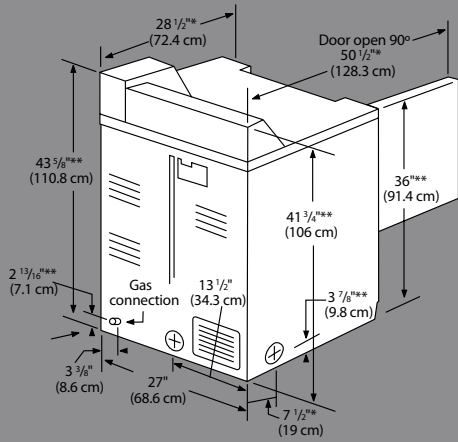
MDE/MDG16CS



MECHANICAL CONTROLS
**MAKE
OPERATION
SIMPLE.**

Maytag® Super-Capacity Dryer

MECHANICAL COIN SLIDE



* Includes 3/4" (1.9 cm) for hinge on back of dryer.
 ** Dimensions will vary according to adjustment of leveling legs; add 1/2" (1.3 cm) minimum.

MAXIMUM EXHAUST DUCT LENGTH PER NUMBER OF TURNS

Number Of 90° Turns	4"-diameter rigid metal duct	
	ft. (m)	ft. (m)
0	65 ft. (19.8 m)	59 ft. (18 m)
1	54 ft. (16.5 m)	48 ft. (14.6 m)
2	44 ft. (13.4 m)	38 ft. (11.6 m)
3	36 ft. (11 m)	30 ft. (9.1 m)
4	28 ft. (8.5 m)	22 ft. (6.7 m)

Number Of 90° Turns	4"-diameter flexible stiff-walled metal duct	
	ft. (m)	ft. (m)
0	36 ft. (11 m)	28 ft. (8.5 m)
1	32 ft. (9.8 m)	24 ft. (7.3 m)
2	28 ft. (8.5 m)	20 ft. (6.1 m)
3	25 ft. (7.6 m)	17 ft. (5.2 m)
4	23 ft. (7 m)	15 ft. (4.6 m)



5 YEARS — ALL PARTS

For a period from the date of original purchase through the time listed above, the designated parts that fail in normal commercial use will be repaired or replaced free of charge for the part itself, with the owner paying all other costs, including labor, transportation and customs duty. Chemical damage is excluded from all warranty coverage. See complete warranty for details.



	Super-Capacity Dryer
DRYER SPECIFICATIONS	
MODEL	MDE/MDG16CS
MOTOR	
Single-phase, thermoprotected against overload, auto-reset	•
HP (kw)	1/4 (.19)
CAPACITY	
Cu. ft. (cu. m)	6 (.17)
AIRFLOW	
Domestic models — cfm (cmm)	220 (6.2)
Export models — cfm (cmm)	180 (5)
TUMBLE SPEED	
RPM	50 ± 1.5
ELECTRICAL REQUIREMENTS	
MDE model — volts (Hz)	240 (60)
MDG model — volts (Hz)	120 (60)
Export models — volts (Hz)	220 – 240 (50)
BREAKER/FUSE REQUIREMENTS	
MDE model — amps	30
MDG model — amps	15
MDE export model — amps	20
MDG export model — amps	10
APPROXIMATE OVERALL DRAW	
Domestic models — watts	5,900
Export models — watts	4,800
EXHAUST DUCT DIAMETER	
In. (cm)	4 (10.2)*
NICHROME HELIX COIL HEATING ELEMENT	
MDE model	•
SINGLE-PORT BURNER	
MDG model	•
AUTOMATIC ELECTRIC BURNER IGNITION	
MDG model	•
GAS RATING	
MDG model — BTU/hr. (kcal/hr.)	24,000 (6,048)
MDG export model — BTU/hr. (kcal/hr.)	20,000 (5,040)
GAS INLET	
MDG model — in. (cm)	1/2 (1.3)
AUTOMATIC PRESSURE REGULATOR	
MDG models	•
ADJUSTABLE LEVELING LEGS	
	•
COLOR	
White	•
APPROXIMATE WEIGHT	
Crated — lbs. (kg)	163 (74)
Uncrated — lbs. (kg)	144 (65)
*Use a minimum of 4" (10.2 cm) -diameter rigid aluminum or rigid galvanized-steel duct. Never use plastic, nonmetal or combustible duct. See specific instructions for proper installation. Because of continuous product improvement, Maytag reserves the right to change specifications without notice.	



NEW YORK CITY M.E.A.

