



# MAYTAG® COMMERCIAL SUPER-CAPACITY DRYER

LAUNDRY SOLUTIONS  
YOU CAN **DEPEND** ON.

## QUICK, EFFICIENT, RELIABLE DRYING

Maytag® super-capacity dryers are the perfect match for our washers, delivering powerful 220-cfm diagonal airflow with a choice of fabric care cycles.

## MICROPROCESSOR CONTROLS

Maytag® Computer Trac® controls let you adjust prices by cycle, day and time and provide simple one-touch cycle selection.



## FOR YOUR CUSTOMERS:

- Simple One-Touch Cycle Selection
- Display Shows Time Remaining In Cycle
- Convenient Top-Opening Door
- Extra-Large Door Opening
- Canadian Model Features Dual Coin-Drop Operation

## FOR YOUR OPERATION:

- Reversible Door
- Large-Capacity Lint Filter
- Microprocessor Coin-Drop Helps Prevent Slugging
- Optional Audit System With Two-Way Data Communication
- Front Access For Easy Service

## BUILT-TO-LAST™ FEATURES:

- Premium Porcelain-Enamel Top
- Tri-Coat™ Cabinet Protection
- DuraCushion™ Dryer Drum
- Cushioned Drum Suspension
- Permanently Lubricated Bearings
- The Best Warranty In The Business

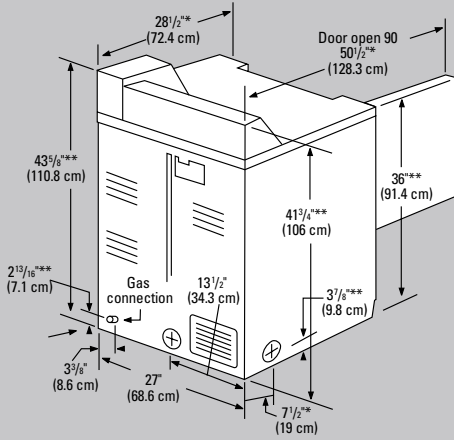
# MDE/MDG16PD



MICROPROCESSOR  
CONTROLS ARE  
**EASY TO  
PROGRAM**  
AND SIMPLE TO OPERATE.

# Maytag® Super-Capacity Dryer

## MICROPROCESSOR COIN-DROP



\* Includes 3/4" (1.9 cm) for hinge on back of dryer.  
 \*\* Dimensions will vary according to adjustment of leveling legs; add 1/2" (1.3 cm) minimum.

### MAXIMUM EXHAUST DUCT LENGTH PER NUMBER OF TURNS

Number Of 90° Turns	4"-diameter rigid metal duct	
	ft. (m)	ft. (m)
0	65 ft. (19.8 m)	59 ft. (18 m)
1	54 ft. (16.5 m)	48 ft. (14.6 m)
2	44 ft. (13.4 m)	38 ft. (11.6 m)
3	36 ft. (11 m)	30 ft. (9.1 m)
4	28 ft. (8.5 m)	22 ft. (6.7 m)

Number Of 90° Turns	4"-diameter flexible stiff-walled metal duct	
	ft. (m)	ft. (m)
0	36 ft. (11 m)	28 ft. (8.5 m)
1	32 ft. (9.8 m)	24 ft. (7.3 m)
2	28 ft. (8.5 m)	20 ft. (6.1 m)
3	25 ft. (7.6 m)	17 ft. (5.2 m)
4	23 ft. (7 m)	15 ft. (4.6 m)



## 5 YEARS — ALL PARTS

For a period from the date of original purchase through the time listed above, the designated parts that fail in normal commercial use will be repaired or replaced free of charge for the part itself, with the owner paying all other costs, including labor, transportation and customs duty. Chemical damage is excluded from all warranty coverage. See complete warranty for details.



	Super-Capacity Dryer
<b>DRYER SPECIFICATIONS</b>	
<b>MODEL</b>	<b>MDE/MDG16PD</b>
<b>MOTOR</b>	
Single-phase, thermoprotected against overload, auto-reset	•
HP (kw)	1/4 (.19)
<b>CAPACITY</b>	
Cu. ft. (cu. m)	6 (.17)
<b>AIRFLOW</b>	
Domestic models — cfm (cmm)	220 (6.2)
Export models — cfm (cmm)	180 (5)
<b>TUMBLE SPEED</b>	
Rpm	50 ± 1.5
<b>ELECTRICAL REQUIREMENTS</b>	
MDE model — volts (Hz)	240 (60)
MDG model — volts (Hz)	120 (60)
Export models — volts (Hz)	220 – 240 (50)
<b>BREAKER/FUSE REQUIREMENTS</b>	
MDE model — amps	30
MDG model — amps	15
MDE export model — amps	20
MDG export model — amps	10
<b>APPROXIMATE OVERALL DRAW</b>	
MDE domestic models — watts	5,900
MDE export models — watts	4,800
<b>EXHAUST DUCT DIAMETER</b>	
In. (cm)	4 (10.2) <sup>†</sup>
<b>NICHROME HELIX COIL HEATING ELEMENT</b>	
MDE model	•
<b>SINGLE-PORT BURNER</b>	
MDG model	•
<b>AUTOMATIC ELECTRIC BURNER IGNITION</b>	
MDG model	•
<b>GAS RATING</b>	
MDG model — BTU/hr. (kcal/hr.)	24,000 (6,048)
MDG export model — BTU/hr. (kcal/hr.)	20,000 (5,040)
<b>GAS INLET</b>	
MDG model — in. (cm)	1/2 (1.3)
<b>AUTOMATIC PRESSURE REGULATOR</b>	
MDG models	•
<b>ADJUSTABLE LEVELING LEGS</b>	
	•
<b>COLOR</b>	
White	•
<b>APPROXIMATE WEIGHT</b>	
Crated — lbs. (kg)	163 (74)
Uncrated — lbs. (kg)	144 (65)
<sup>†</sup> Use a minimum of 4" (10.2 cm) -diameter rigid aluminum or rigid galvanized-steel duct. Never use plastic, nonmetal or combustible duct. See specific instructions for proper installation. Because of continuous product improvement, Maytag reserves the right to change specifications without notice.	



NEW YORK CITY M.E.A.

