

# MHN30PD

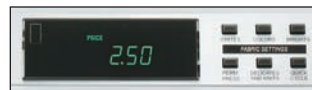
## MAYTAG® COMMERCIAL ENERGY ADVANTAGE™ HIGH-EFFICIENCY FRONT-LOAD WASHER



### LEGENDARY MAYTAG DEPENDABILITY

Maximizing your equipment investment for over a half century.

- ▶ **MODIFIED ENERGY FACTOR 2.48**
- ▶ **WATER FACTOR 3.87**
- ▶ **CEE TIER III RATED**



### MICROPROCESSOR CONTROLS, COIN-DROP

Maytag® Computer Trac® controls are easy to program and operate. Plus, they give owners the flexibility to set vend prices by day, time, water temperature and Super Cycle options.

### A COMPLETE LINE OF ENERGY-EFFICIENT SOLUTIONS

Maytag built the first appliance ever to receive the ENERGY STAR® label. Today we offer a complete line of high-efficiency commercial laundry appliances—from industry-leading energy-efficient dryers to highly efficient ENERGY STAR®-qualified washers—to help you save money and build profits.

### FOR YOUR CUSTOMERS:

- Large Capacity For Bulky Items—3.2 cu. ft.
- High-Speed Extraction Cuts Drying Time (as high as 1,000 RPMs)
- Easy-To-Use One-Touch Cycle Selection
- Flexible Wash Options
- Quick Cycle Reduces Total Wash Time
- Automatic Detergent, Softener And Bleach Dispenser Drawer
- Large Display For Convenience
- Front Control Panel 22° Angle For Easy Viewing
- ADA-Compliant With Optional Pedestal

### FOR YOUR OPERATION:

- High-Efficiency Design Meets CEE Tier III Rating
- TurboWash™ System Delivers Better Cleaning With Less Average Water Use Per Cycle
- Super Cycle Option Increases Revenue
- Self-Diagnostic Feature Cuts Service Cost And Minimizes Downtime
- Accu Trac® Audit System With Two-Way Data Communication
- Card-Reader Compatible
- Advanced Computer Trac® Controls Allow For Easy Programming
- Simple Soft-Mount Design For Easy Installation
- Dual Coin-Drop Option

### BUILT-TO-LAST™ FEATURES:

- Porcelain-Enamel Top With Backsplash
- Precision Endurance Drive
- Controlled Induction Motor
- High Security Vault
- Best Warranty In The Business—5 Years All Parts

**LAUNDRY SOLUTIONS**  
**YOU CAN *DEPEND* ON.**

**SAVE UP TO 60% YEARLY\***  
**ON ENERGY, WATER AND SEWER COSTS**

visit [maytagcommerciallaundry.com](http://maytagcommerciallaundry.com)  
or call 800-662-3587

\*Maytag® Commercial front-load washer compared to commercial top-load washer. Individual savings may vary.



## OUR COMMITMENT TO DEPENDABLE QUALITY

At Maytag, we believe durable goods should remain just that. That's why every Maytag® product is constructed of the highest-quality materials and with the utmost in precision craftsmanship. It's also why we stand behind our equipment with solid service and support from our professional Maytag laundry suppliers. Simply put, when you choose Maytag® products, you ensure your peace of mind.



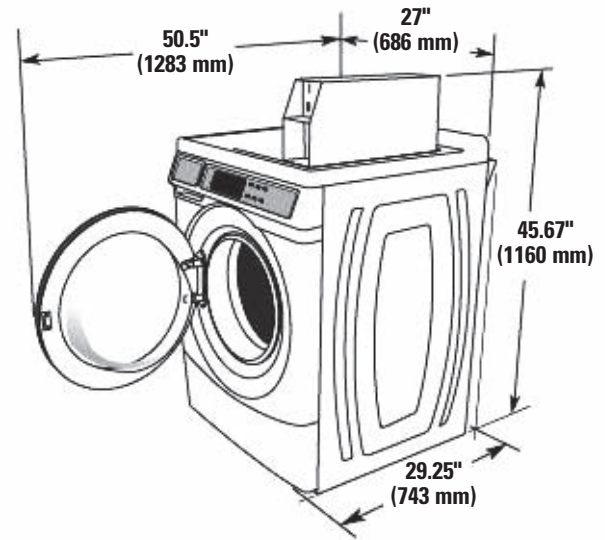
## MHN30PD

MAYTAG® COMMERCIAL ENERGY ADVANTAGE™ HIGH-EFFICIENCY FRONT-LOAD WASHER

### Maytag® Energy Advantage™ HE Front-Load Washer MICROPROCESSOR CONTROLS, COIN-DROP

WASHER SPECIFICATIONS	
<b>MODEL</b>	<b>MHN30PD</b>
<b>MOTOR</b>	
Variable-speed, reversible, thermoprotected, high-efficiency, controlled induction	Yes
Wash—HP (kw)	.09 (.07)
Extract—HP (kw)	.54 (.40)
Average energy consumption per cycle (kWh)	.054
<b>CAPACITY</b>	
Cylinder volume—cu. ft. (liters)	3.2 (91)
Cylinder diameter—in. (mm)	21.6 (547)
Cylinder depth—in. (mm)	13.4 (341)
<b>APPROXIMATE WATER USAGE—GALLONS (LITERS)</b>	
Average hot water usage, hot water cycle	3.4 (12.8)
Average hot water usage, warm water cycle	1.6 (6.1)
Average total water usage per cycle	12.4 (47)*
<b>ELECTRICAL RATING</b>	
Domestic model—voltage	120V/60Hz
Export model—voltage	220–240V/50Hz
<b>BREAKER/FUSE MIN. REQUIREMENTS</b>	
Domestic amps	15
Export amps	10
<b>SOUND LEVEL (export model only)</b>	
Sound pressure level, Lpa (dbA) (Kpa: +/- 3.6 dbA)	58
<b>DOOR OPENING</b>	
Sq. in.	143
<b>WASH SPEED</b>	
RPM	40
<b>EXTRACT SPEED</b>	
Maximum RPM	1,000
Maximum g-force	306
<b>WATER SUPPLY PRESSURE</b>	
Psi (bar)	20–100 (1–8)
<b>INLET HOSE</b>	
Ft. (m)	4 (1.22)
<b>DRAIN HOSE</b>	
Ft. (m)	6 (1.83)
<b>ADJUSTABLE LEVELING LEGS</b>	Yes
<b>APPROXIMATE WEIGHT</b>	
Crated—lbs. (kg)	254 (115)
Uncrated—lbs. (kg)	245 (111)
<b>DIMENSIONS</b>	
Width—in. (mm)	27 (686)
Depth—in. (mm)	29.25 (743)
Height—in. (mm)	45.67 (1160)**
<b>OPTIONAL PEDESTAL ADD:</b>	
Height—in. (mm)	2.75 (70)

\* Average based on DOE J1 testing with factory preset cycles.  
 \*\* Height at metercase top does not include pedestal.  
 Dimensions are for planning purposes only. See specific instructions for proper installation. Because of continuous product improvement, Maytag reserves the right to change specifications without notice.  
 Export model ships without coin-drop mechanism.



NEW YORK CITY  
M.E.A.



### THE BEST WARRANTY IN THE BUSINESS— 5 YEARS ON ALL PARTS

For a period from the date of original purchase through the time listed above, the designated parts that fail in normal commercial use will be repaired or replaced free of charge for the part itself, with the owner paying all other costs, including labor, transportation and customs duty. Chemical damage is excluded from all warranty coverage. See complete warranty for details.