



LAUNDRY **SOLUTIONS**
YOU CAN *DEPEND* ON.

MAYTAG® COMMERCIAL ENERGY ADVANTAGE™ STACK WASHER/DRYER

MLE/MLG19PD

MORE ENERGY-SAVING SOLUTIONS THAN ANY OTHER BRAND

Maytag built the first appliance ever to receive the ENERGY STAR® label. Today we offer more high-efficiency laundry appliances than any other brand — from energy-efficient dryers to highly efficient ENERGY STAR®-qualified washers — to help you save money and build profits.



MICROPROCESSOR COIN-DROP

Maytag® Computer Trac® controls are easy to program and operate. Plus, they give owners the flexibility to set vend prices by day, time, water temperature and Super Cycle options. Microprocessor coin-drop measures coin size, weight and drop speed to help prevent slugging.

SAVE SPACE AND CUT UTILITY COSTS

A Maytag® Commercial Energy Advantage™ stack washer/dryer gives you a full-size high-efficiency washer and a super-capacity dryer in the space of a washer alone. Plus, the ENERGY STAR® rating means you'll save on utility bills. It's an instant boost for your bottom line!

FOR YOUR CUSTOMERS:

- No Wash Agitator For Greater Capacity
- Fast-Drying 220-cfm Diagonal Airflow
- Angled Wash Basket For Easy Loading And Unloading
- Canadian Model Features Dual Coin-Drop Operation

FOR YOUR OPERATION:

- Automatic Load Balancing
- Maximum Spin Speed Extracts More Water
- Built-In Over-Sudsing Protection
- Easy-To-Operate Computer Trac® Controls

BUILT-TO-LAST™ FEATURES:

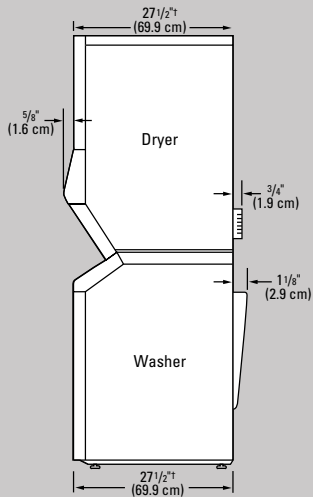
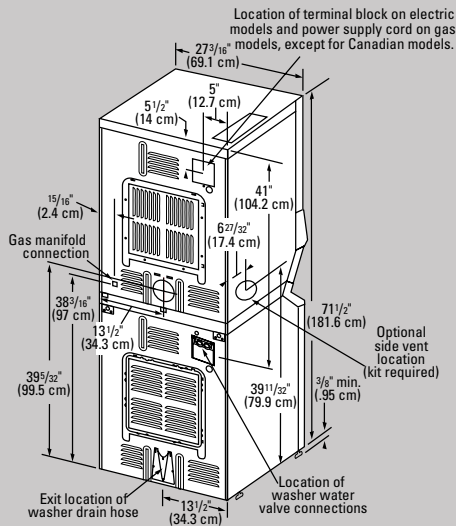
- Stainless Steel Wash Basket
- Precision Endurance Drive
- The Best Warranty In The Business



**PROGRAMMABLE
CONTROLS**
MAKE OPERATION EASY.

Maytag® Energy Advantage™ Stack Washer/Dryer

MICROPROCESSOR COIN-DROP



[†] Additional depth with venting will take from 1 7/8" to 7" (2.9 cm to 17.9 cm) of depth, depending on the vent method used.



**THE BEST WARRANTY
IN THE BUSINESS —
5 YEARS ON ALL PARTS.**

For a period from the date of original purchase through the time listed above, the designated parts that fail in normal commercial use will be repaired or replaced free of charge for the part itself, with the owner paying all other costs, including labor, transportation and customs duty. Chemical damage is excluded from all warranty coverage. See complete warranty for details.



Energy Advantage™ Stack Washer/Dryer	
STACKED UNIT SPECIFICATIONS	
MODEL	MLE/MLG19PD
WASHER SPECIFICATIONS	
MOTOR	
120V, 60 Hz, variable-speed, reversible, high-efficiency, switched reluctance	•
Export models — 220 – 240V, 50 Hz	•
HP (kw) — wash/spin	1/4 (.19)/1/2 (.38)
CAPACITY	
Cu. ft. (cu. m)	2.9 (.08)
INLET — ft. (m)	4 (1.22)
DRAIN HOSE LENGTH — in. (cm)	42 (109.7)
APPROXIMATE WATER USAGE — gal. (liters)	
Factory preset hot cycle average, hot water	5 (18.9)
Factory preset warm cycle average, hot water	2 1/2 (9.5)
Factory preset average, overall	18 – 21 (68.1 – 79.5)*
DRYER SPECIFICATIONS	
MOTOR	
120V, 60 Hz, single-phase, thermoprotected against overload, auto-reset	•
Export models — 220 – 240V, 50 Hz	•
HP (kw)	1/4 (.19)
CAPACITY — cu. ft. (cu. m)	6 (.17)
AIRFLOW	
Domestic models — cfm (cmm)	220 (6.2)
Export models — cfm (cmm)	180 (5)
EXHAUST DUCT DIAMETER — in. (cm)	4 (10.2)**
NICHROME HELIX COIL HEATING ELEMENT (MLE models)	•
ELECTRICAL REQUIREMENTS	
Approximate dryer draw — watts	5,900
Approximate overall draw — watts	6,300
Approximate export dryer draw — watts	4,800
Approximate export overall draw — watts	5,450
FUSE REQUIREMENTS	
MLE model — amps	30
MLG model — amps	15
MLG export model — amps	10
SINGLE-PORT BURNER WITH AUTOMATIC ELECTRIC IGNITION (MLG models)	•
GAS RATING	
MLG model — BTU/hr. (kcal/hr.)	24,000 (6,048)
MLG export model — BTU/hr. (kcal/hr.)	20,000 (5,040)
AUTOMATIC PRESSURE REGULATOR (MLG models)	•
ADJUSTABLE LEVELING LEGS	•
COLOR	
White	•
APPROXIMATE WEIGHT	
Crated/uncrated — lbs. (kg)	335 (152)/303 (137)

* If optional additional rinse is used, add 5 gallons (18.9 liters); not dependent on incoming pressure or time.

** Use a minimum of 4" (10.2 cm) -diameter rigid aluminum or rigid galvanized-steel duct. Never use plastic, nonmetal or combustible duct.

See specific instructions for proper installation. Because of continuous product improvement, Maytag reserves the right to change specifications without notice.



NEW YORK CITY
M.E.A.

